
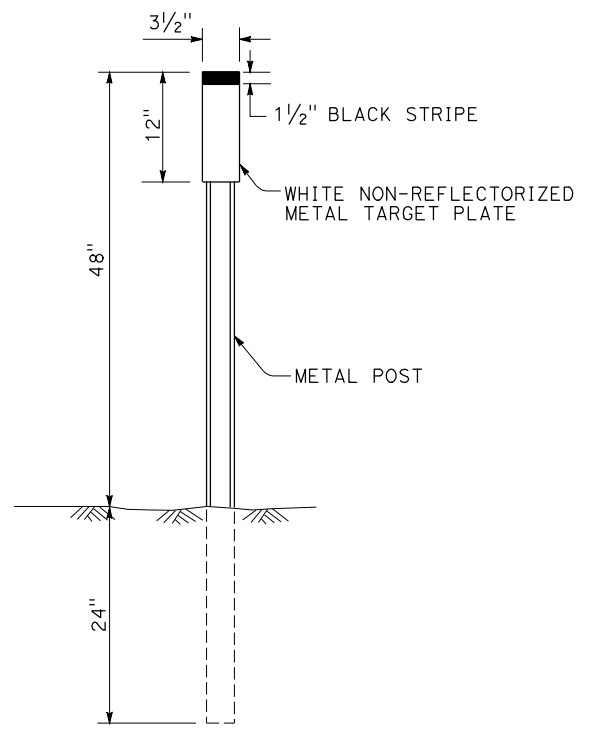
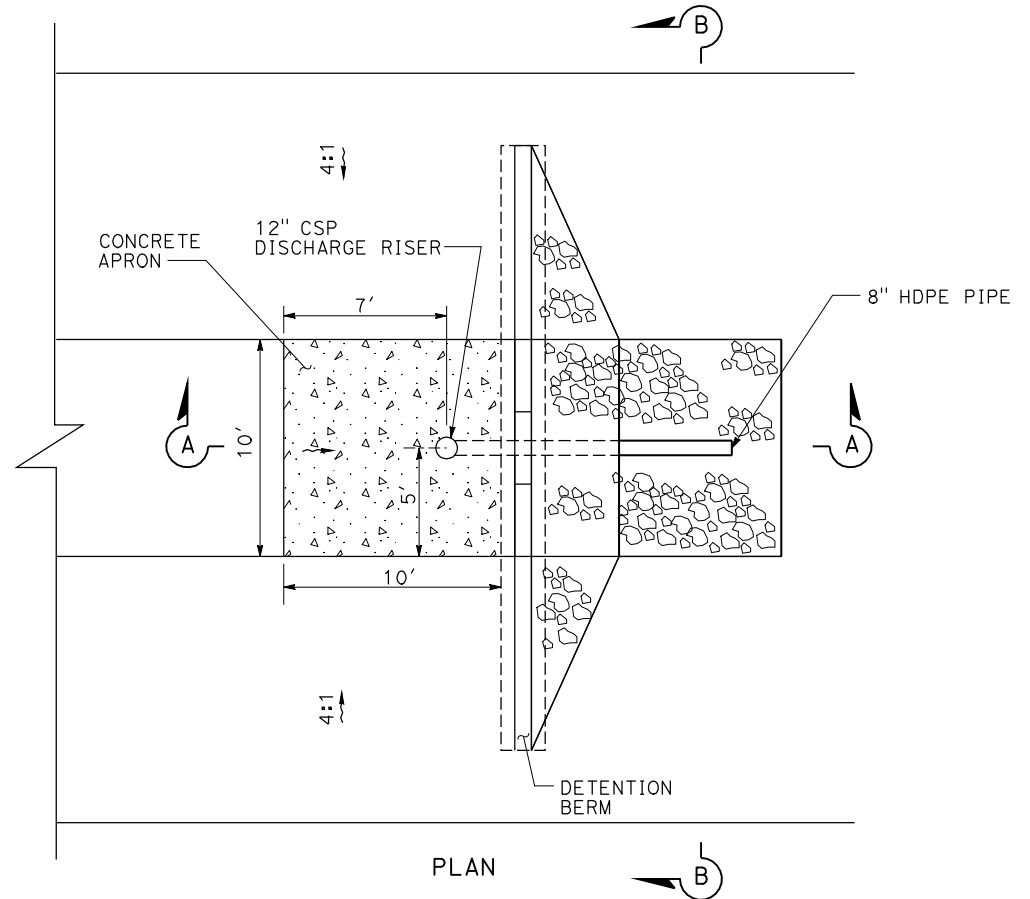


Dist	COUNTY	ROUTE	POST MILES TOTAL PROJECT	SHEET No.	TOTAL SHEETS
03	Pla	65	R11.9/R24.1		
REGISTERED CIVIL ENGINEER		DATE			
PLANS APPROVAL DATE		<small>THE STATE OF CALIFORNIA OR ITS OFFICERS OR AGENTS SHALL NOT BE RESPONSIBLE FOR THE ACCURACY OR COMPLETENESS OF SCANNED COPIES OF THIS PLAN SHEET.</small>			

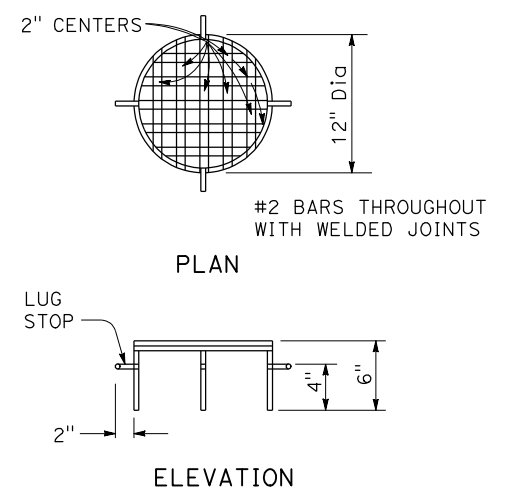


CULVERT MARKER

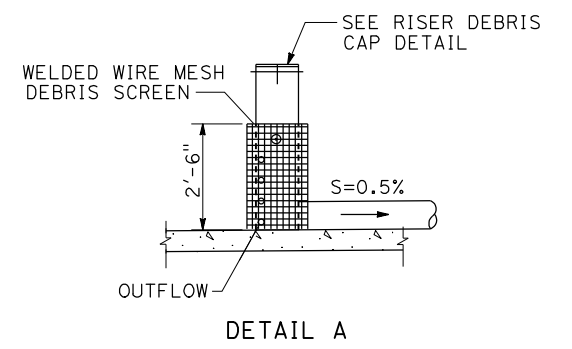
- NOTES:**
1. EXACT LOCATION TO BE DETERMINED BY THE ENGINEER.
 2. FOR DETAILS NOT SHOWN, SEE Std PLAN A73B.



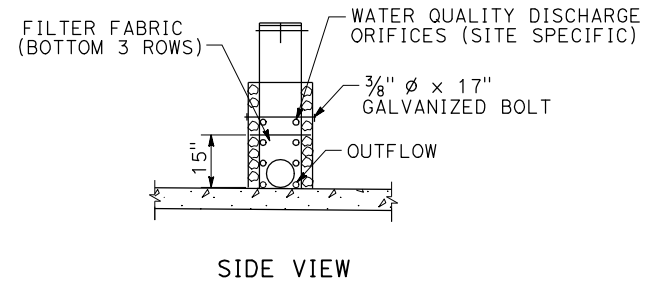
PLAN



RISER DEBRIS CAP DETAIL



DETAIL A

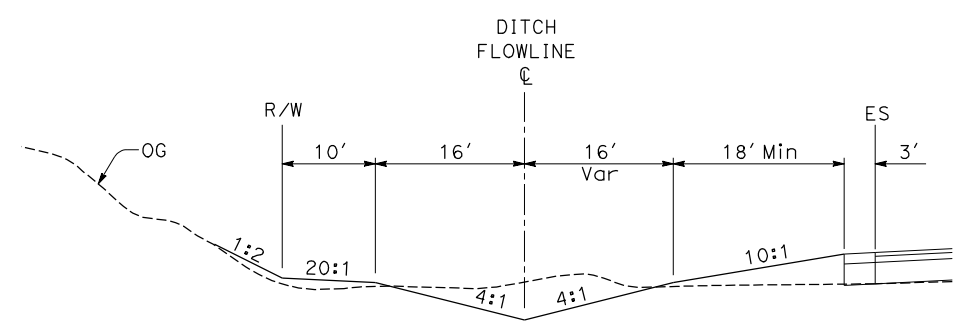


DISCHARGE RISER

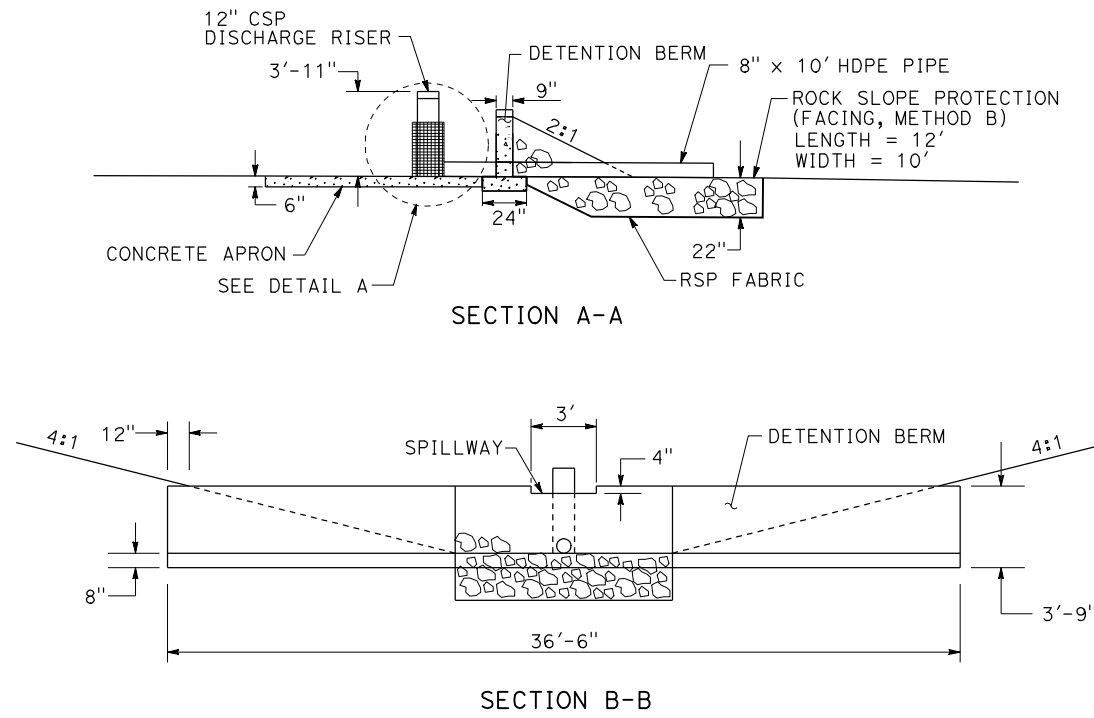
DRAINAGE DETAILS

NO SCALE

DD-4



V-DITCH TYPICAL



WATER QUALITY/DETENTION OUTLET BERM

DRAINAGE DETAILS SHEET, EXAMPLE "65 DD-4"

THIS EXAMPLE IS ONE OF MANY EXAMPLES OF THE VARIOUS TYPES OF PROJECT PLAN SHEETS FROM THE SAME CONSTRUCTION PROJECT, "ROUTE 65 BYPASS PROJECT."

STATE OF CALIFORNIA - DEPARTMENT OF TRANSPORTATION
St. Gobans
 REVISIONS: REVISED BY, DATE REVISED, CALCULATED/DESIGNED BY, CHECKED BY, FUNCTIONAL SUPERVISOR, DEPARTMENT OF TRANSPORTATION

DRAINAGE DETAILS SHEET, EXAMPLE "65 DD-4" RELEASED 2/3/2012
 LAST REVISION: 00-00-00 DATE PLOTTED => 25-JAN-2012 TIME PLOTTED => 14:55