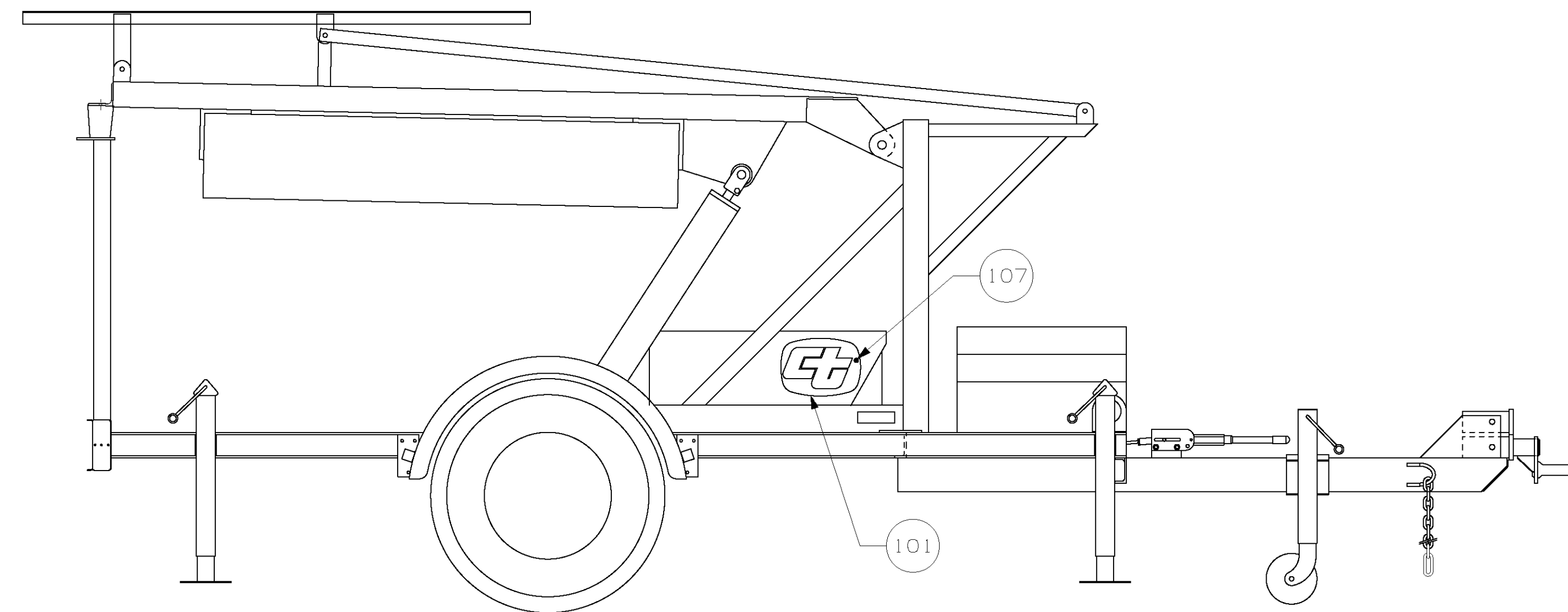
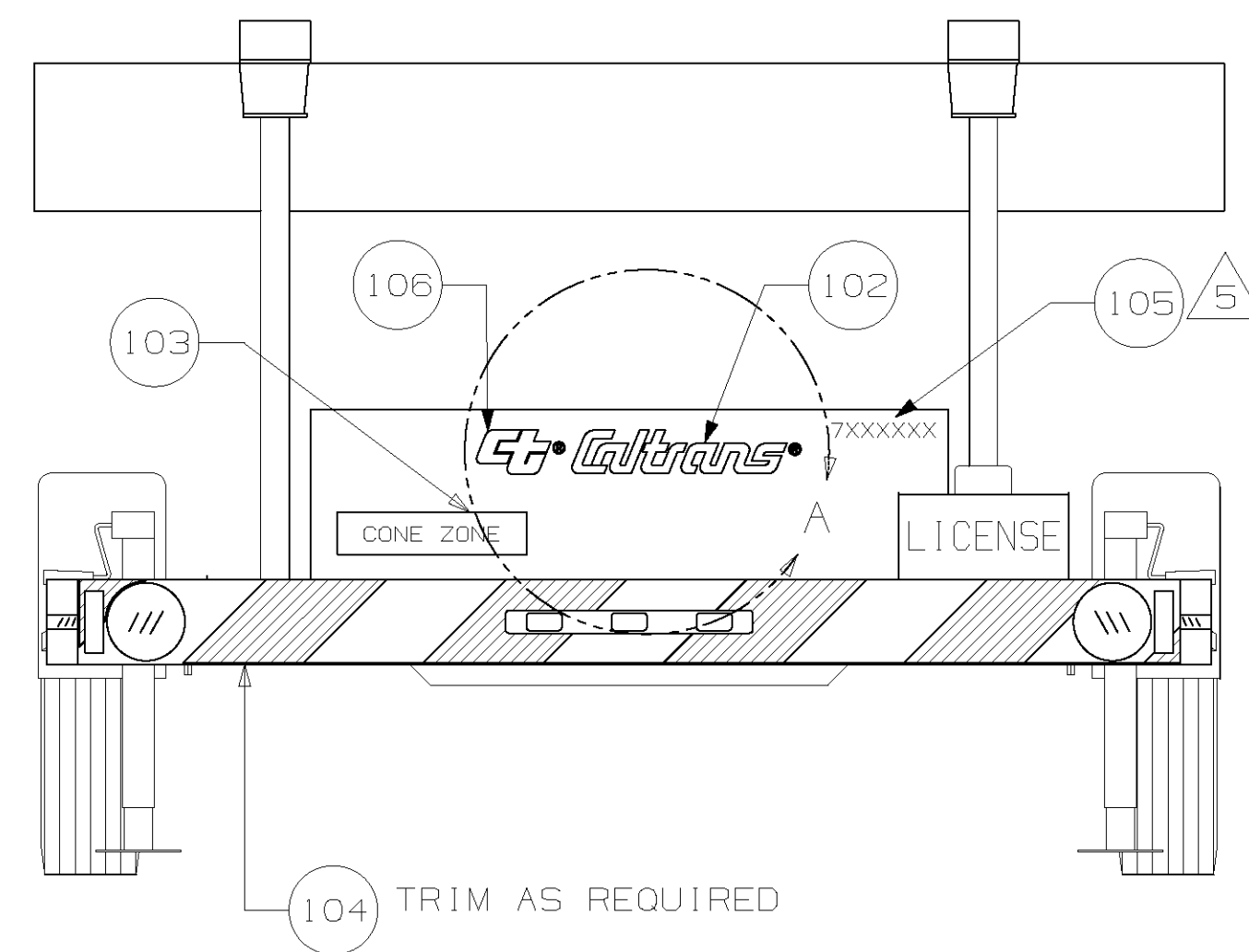
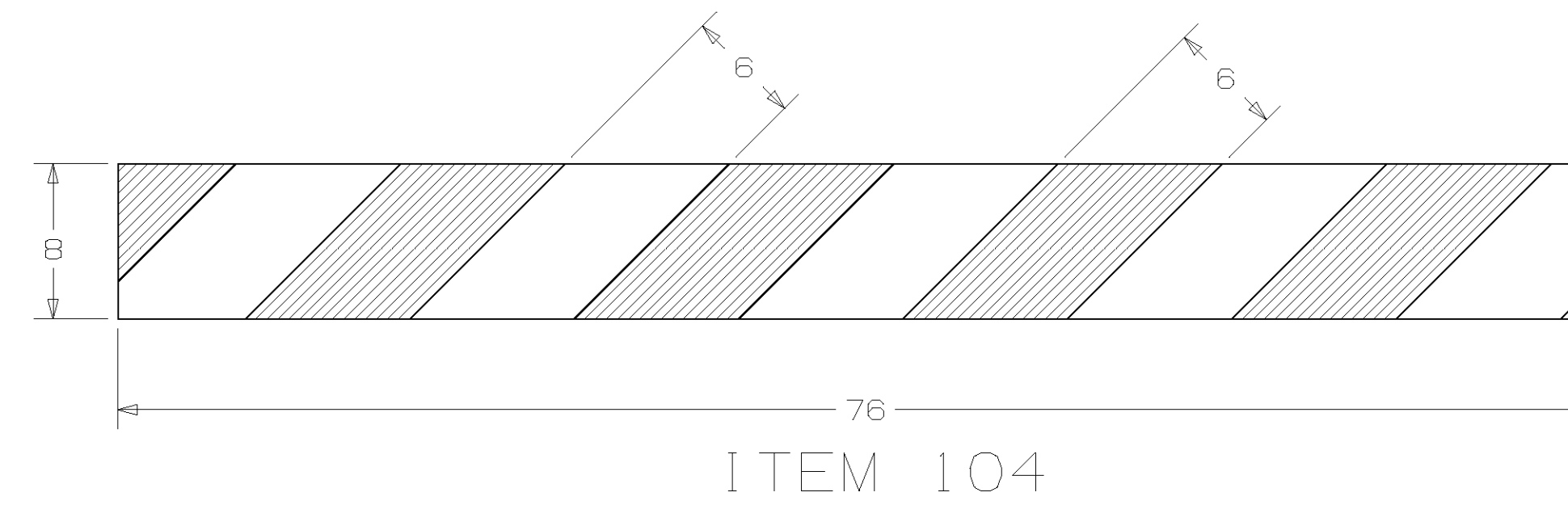
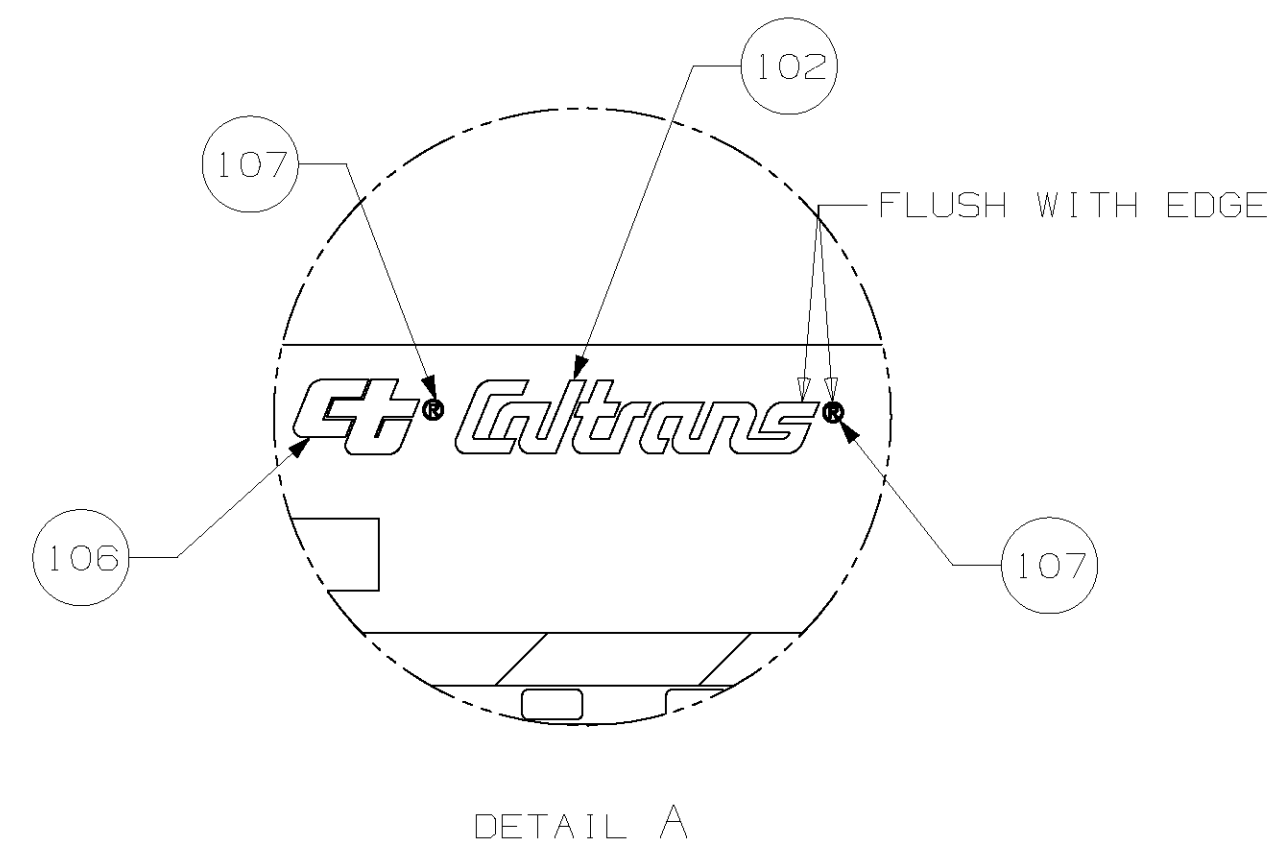


BILL OF MATERIALS

ITEM	QTY	DESCRIPTION	MANUF # DWG NO.	CT NO.
△4 101	2	DECAL, 'CT' WHITE REFLECTIVE 7" X 9"	03-D004-01	053-4761
102	1	DECAL, 'CALTRANS' ORANGE SCRIPT, 3"	03-D007-01	053-4802
103	1	DECAL, 'SLOW FOR CONE ZONE'	X	053-4829
△5 104	1	STRIPING, ORANGE/WHITE DIAG., REFLECTIVE, 8" X 48"	P2-D032-01 / REFLEXITE V-92	053-2047
105	1	EQ. ID # & MC # DECALS - SPECIAL ORDER	X	053-4892
106	1	DECAL 'CT' ORANGE SCRIPT, 3"	03-D013-01	053-5135
107	4	DECAL '®' TRADEMARK BLK 3/8"	03-D013-01	053-5138



NOTES:

- ALL DELINEATION WILL BE IN COMPLIANCE WITH CALTRANS EQUIPMENT QUALITY STANDARDS. GO TO www.dot.ca.gov/hq/eqsc TO VIEW EQUIPMENT QUALITY STANDARDS.
- STRIPING APPLICATION: ALL STICKERS, LABELS AND STRIPING SHALL BE LEVEL, STRAIGHT, BUBBLE FREE AND DEBRIS FREE. NO SPLICING OF TAPE OR STRIPING SHALL BE ACCEPTABLE. ALL EDGES ON STRIPING SHALL BE TRIMMED 1/8 INCH FROM THE EDGES OF DOORS, PANELS, FENDERS, LIGHTS, EMBLEMS, ETC. ANY REFLECTIVE TYPE OF STRIPE OR STICKER MAY NOT BE PULLED FROM THE VEHICLE AND REAPPLIED DURING APPLICATION, SINCE THE REFLECTIVE MATERIAL WILL BE COMPROMISED.

- △3 INSTALL ITEMS 101 AND 107 ON ALTERNATE LOCATION IF DECALS WILL NOT FIT ON SIDE RAIL AS SHOWN.
- △4 ITEM 101 TO BE LOCATED SUCH THAT "CT" LOGO IS CENTERED APPROXIMATELY ON SIDE RAIL FOR HORIZONTAL PORTION OF DECK.
- △5 SEVEN-DIGIT EQUIPMENT IDENTIFICATION NUMBER (EQ. ID #) ALWAYS STARTS WITH A "7" AND SHALL BE AFFIXED TO THE REAR OF THE VEHICLE IN THE UPPER RIGHT CORNER.

TRAILER SHOWN TO ILLUSTRATE
DELINEATION LOCATIONS ONLY.

D	Sep 2014	UPDATED NOTE REF AND ITEM	J Payne
C	July 2014	UPDATED PER 7-18-14 MEMO	J Payne
B	July 2012	ADDED DETAIL NOTES	J Payne
A	03/04	ITEM 101 WAS 96" LG	DOWNIN
REV		DESCRIPTION	BY
NEXT ASSEMBLY		STATE OF CALIFORNIA DEPARTMENT OF TRANSPORTATION	
		DIVISION OF EQUIPMENT	
		C.M.S. & ARROWBOARD TRAILER DELINEATION DETAIL	
TOLERANCE UNLESS OTHERWISE SPECIFIED	DECIMAL ±	SCALE	DATE 03/20/02
	FRACTIONAL ± 1/4	DRAWN DOWNIN	DESIGNED WHEELER
	ANGULAR ±	CHECKED	APPROVED
	DRILLED HOLES ±		
	REAMED HOLES ±		
			1-54817-DE SHEET 1 OF 1 SHEETS