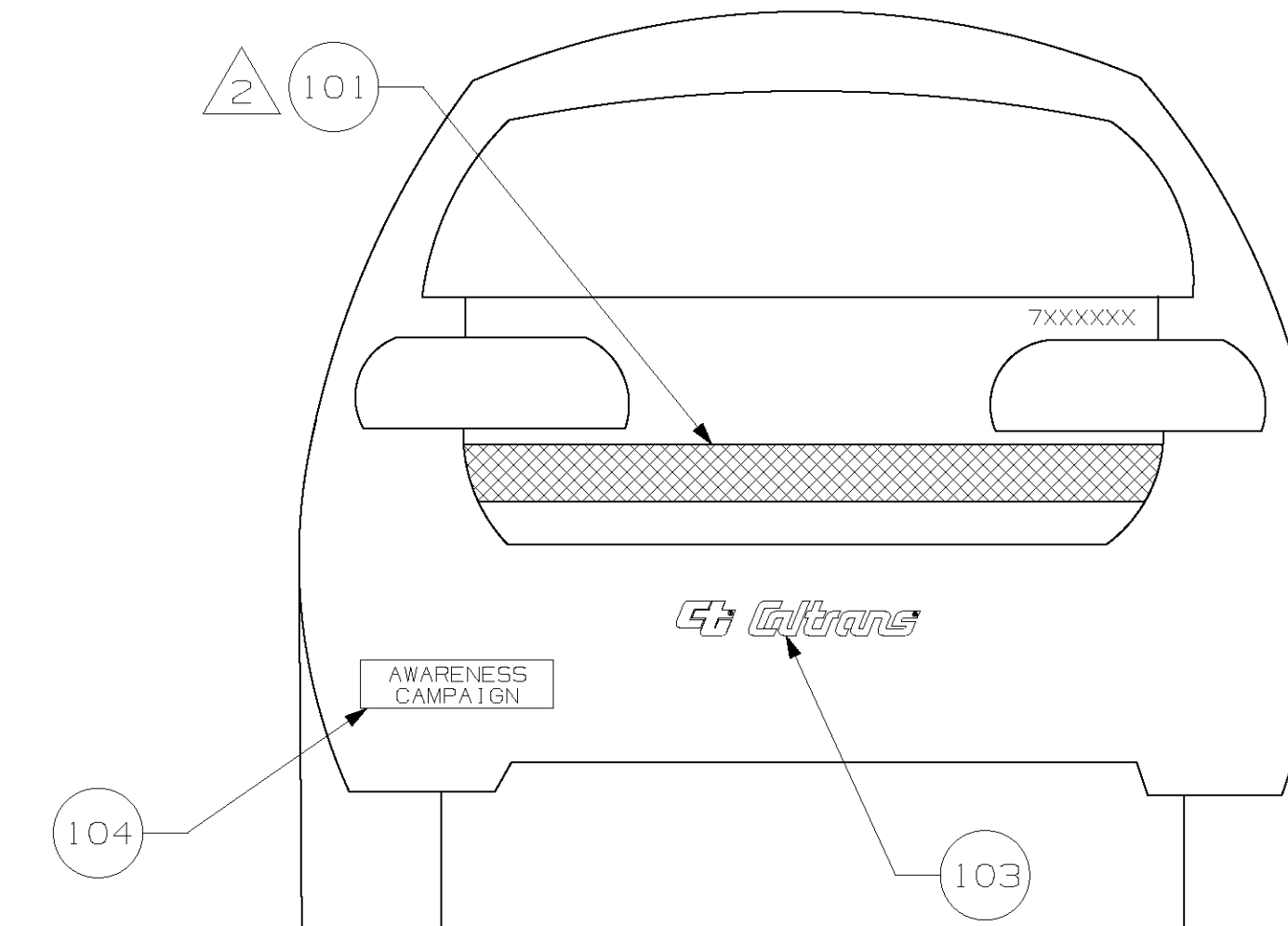
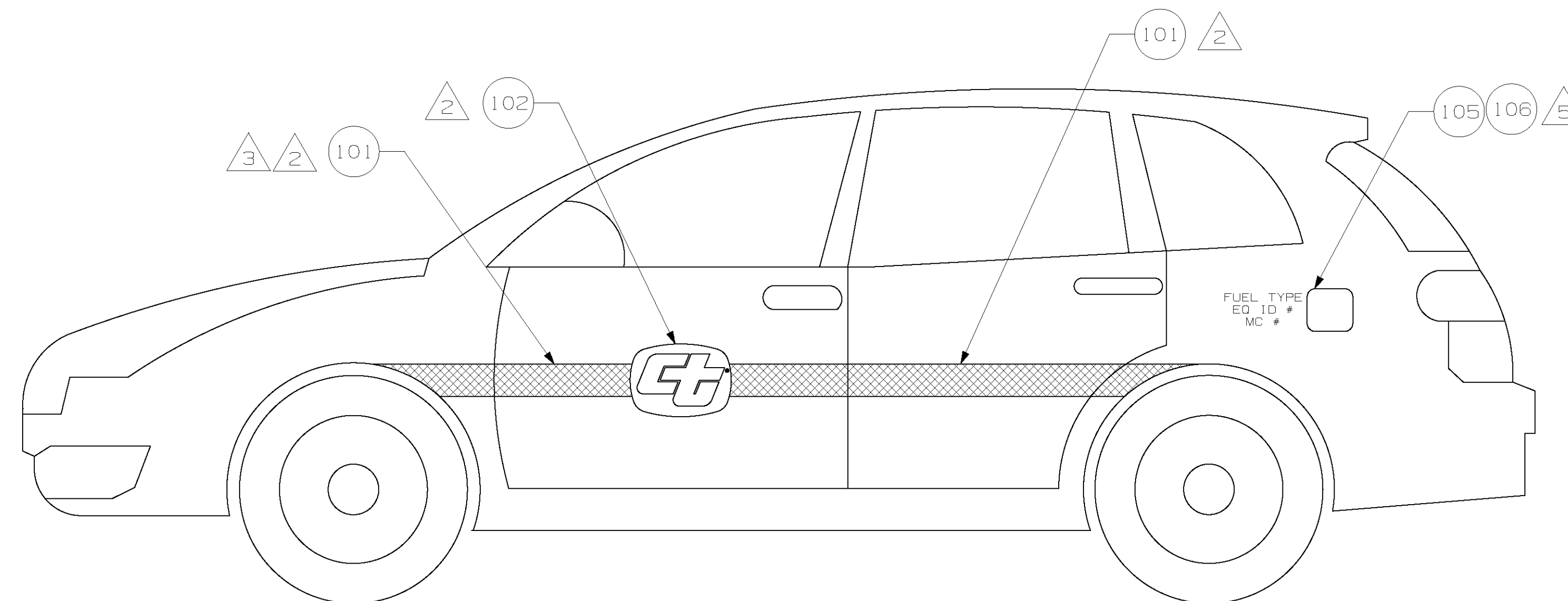


BILL OF MATERIALS

ITEM	QTY	DESCRIPTION	MF'R #/ CT DWG #	CT STK #
101	AS REQ'D	DECAL, REFLECTIVE SHEET, ORANGE, 4" WIDE	MATERIAL PER SPECIFICATION	053-4767
102	2	DECAL, "CT" DOOR, WHITE REFLECT, 7" X 9"	03-0004-01	053-4761
103	1 OR 1	DECAL, "CT CALTRANS" ORANGE, SCRIPT, 3"	03-0014-01	053-4802
		DECAL, "CT CALTRANS" WHITE, SCRIPT, 3"	03-0014-01	053-4752
104	1	APPROVED PUBLIC AWARENESS CAMPAIGN BUMPER STICKER		
105	1	EQ ID # & MC # - SPECIAL ORDER	X	053-4892
106	1 OR 1	FUEL TYPE DECAL - E85 OR GASOLINE	X	053-4990
		FUEL TYPE DECAL - UNLEADED FUEL ONLY	X	053-1510

△ 2
△ 3
△ 4
△ 5
△ 5



NOTES:

- 1 ALL DELINEATION WILL BE IN COMPLIANCE WITH CALTRANS EQUIPMENT QUALITY STANDARDS. GO TO www.dot.ca.gov/hq/eqsc AND CLCK ON THE LINK "EQUIPMENT QUALITY STANDARDS" THEN "FLEET IDENTIFICATION"
- 2 STRIPING APPLICATION: ALL STICKERS, LABELS AND STRIPING SHALL BE LEVEL, STRAIGHT, BUBBLE-FREE AND DEBRIS-FREE. NO SPLICING OF TAPE OR STRIPING SHALL BE ACCEPTABLE. ALL EDGES ON STRIPING SHALL BE TRIMMED 1/8-3/8 INCH FROM THE EDGES OF DOORS, PANELS, FENDERS, LIGHTS, EMBLEMS, ETC. ORANGE REFLECTIVE SHEETS (ITEM 101) AND STRIPING SHALL BE TRIMMED TO MATCH BODY CONTOURS AND CREASES WHEN IT WILL NOT LAY HORIZONTAL. ANY REFLECTIVE TYPE OF STRIPE OR STICKER SHALL NOT BE PULLED FROM THE VEHICLE AND REAPPLIED DURING APPLICATION, SINCE THE REFLECTIVE MATERIAL WILL BE COMPROMISED.
- 3 PLACE LOWER EDGE OF ITEM 101 APPROXIMATELY 1/2 WAY BETWEEN THE BOTTOM OF THE WINDOW AND THE BOTTOM OF DOOR. MAKE ADJUSTMENT SLIGHTLY AS REQUIRED TO CLEAR FENDER CUTOUTS AND OTHER FEATURES TO IMPROVE EASE OF INSTALLATION. ITEM 101 POSITION MAY BE ADJUSTED SLIGHTLY TO ALIGN WITH BODY STRIPE IF POSSIBLE
- 4 ITEM 102: LOCATE SUCH THAT THE LOGO IS CENTERED ON THE VERTICAL CENTERLINE OF THE DOOR AND ON THE STRIPE (ITEM 101). STRIPE 101 TO BE TRIMMED TO MATCH EDGES OF ITEM 102
- 5 THE FOLLOWING DECAL GROUP SHALL BE PLACED DIRECTLY ABOVE OR NEXT TO EACH FUEL FILLER IN ORDER FROM TOP TO BOTTOM: FUEL TYPE, EQ. ID, MC#

COPYRIGHT 2015 CALIFORNIA DEPARTMENT OF TRANSPORTATION. ALL RIGHTS RESERVED

THIS DOCUMENT CONTAINS CONFIDENTIAL AND PROPRIETARY INFORMATION THAT CANNOT BE REPRODUCED OR DISCLOSED, IN WHOLE OR IN PART, WITHOUT WRITTEN AUTHORIZATION FROM CALTRANS DIVISION OF EQUIPMENT, OFFICE OF ENGINEERING AND PRODUCTION

REV	DESCRIPTION	BY
NEXT ASSEMBLY	STATE OF CALIFORNIA DIVISION OF EQUIPMENT	
XX	DIVISION OF EQUIPMENT	
STATION WAGON DELINEATION		
TOLERANCE-UNLESS OTHERWISE SPECIFIED	SCALE XX	DATE 4 Nov 15
DECIMAL ± XX	DRAWN J Payne	DESIGNED XX
FRACTIONAL ± XX	CHECKED	APPROVED
ANGULAR ± XX		
DRILLED HOLES ± XX		
REAMED HOLES ± XX		
		I-00301-DE
		SHEET 1 OF 1 SHEETS

MAINTENANCE CLASS 00306 – TOYOTA HYBRID STATION WAGON



MAINTENANCE CLASS 00306 – TOYOTA HYBRID STATION WAGON



MAINTENANCE CLASS 00306 – TOYOTA HYBRID STATION WAGON





MAINTENANCE CLASS 10301 - AWD COMPACT STATION WAGON



2015 10 13

MAINTENANCE CLASS 10301 - AWD COMPACT STATION WAGON



2015 10 13



2015 10 13

MAINTENANCE CLASS 10301 - AWD COMPACT STATION WAGON



MAINTENANCE CLASS 00301 STATION WAGON, COMPACT



MAINTENANCE CLASS 00301 STATION WAGON, COMPACT







MAINTENANCE CLASS 00301 STATION WAGON, COMPACT



MAINTENANCE CLASS 00301 STATION WAGON, COMPACT





