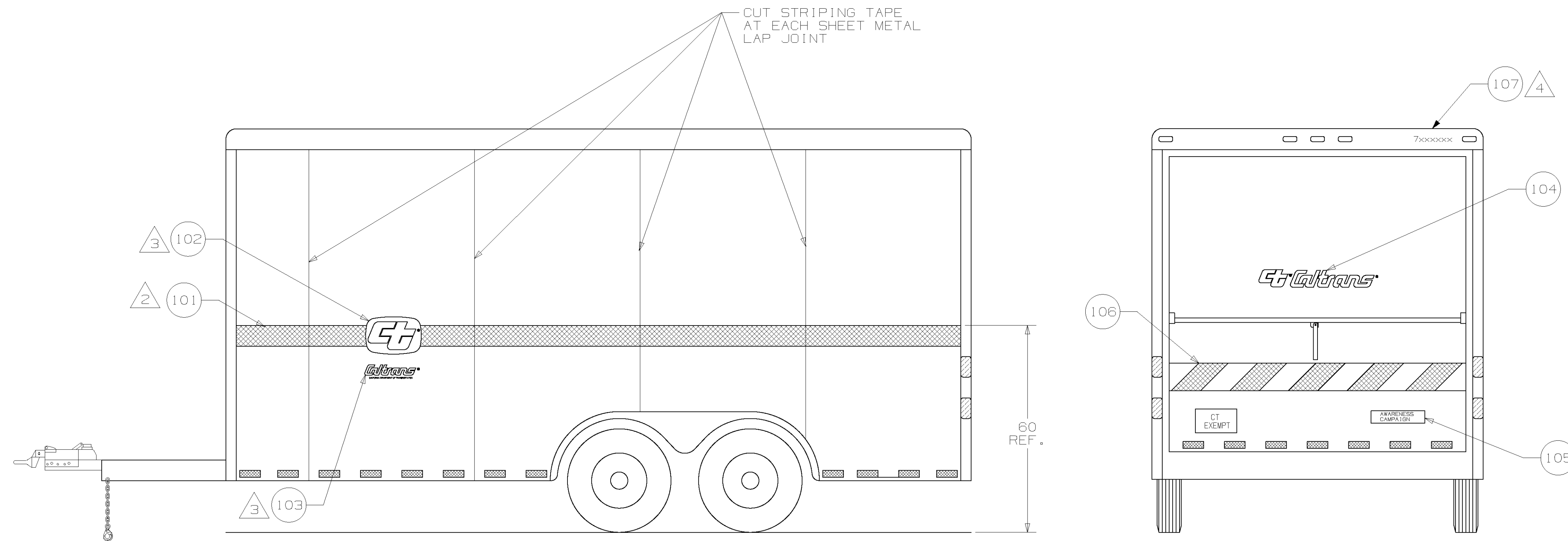


BILL OF MATERIALS

ITEM	QTY	DESCRIPTION	CT DWG # / MF #	CT STK #
△2	AS REQ'D	DECAL, REFLECTIVE ORANGE SHEET, 5" WIDE	MATERIAL PER SPECIFICATION	053-4813
△3	2	DECAL, 'CT' WHITE REFLECTIVE, 9" X 12"	03-D004-01	053-4760
△3	2	DECAL, 'CALTRANS' BLACK SCRIPT, 2 1/2"	03-D005-01	053-4763
104	1	DECAL, 'CT CALTRANS' ORANGE SCRIPT, 3"	03-D014-01	053-4802
105	1	APPROVED PUBLIC AWARENESS CAMPAIGN BUMPER STICKER	X	.
106	1	STRIPING, ORANGE/WHITE DIAG., REFLECTIVE, 8" X 8'	MATERIAL PER SPECIFICATION	053-2047
△4	1	EQ. ID # & MC # DECALS - SPECIAL ORDER	X	053-4892



NOTES:

1. ALL DELINEATION WILL BE IN COMPLIANCE WITH CALTRANS EQUIPMENT QUALITY STANDARDS. GO TO www.dot.ca.gov/hq/eqsc TO VIEW EQUIPMENT QUALITY STANDARDS.

△2. STRIPING APPLICATION: ALL STICKERS, LABELS AND STRIPING SHALL BE LEVEL, STRAIGHT, BUBBLE-FREE AND DEBRIS-FREE. NO SPLICING OF TAPE OR STRIPING SHALL BE ACCEPTABLE. ALL EDGES ON STRIPING SHALL BE TRIMMED 1/8-3/8 INCH FROM THE EDGES OF DOORS, PANELS, FENDERS, LIGHTS, EMBLEMS, ETC. ORANGE REFLECTIVE SHEETS (ITEM 101) AND STRIPING (ITEM 107) SHALL BE TRIMMED TO MATCH BODY CONTOURS AND CREASES WHEN IT WILL NOT LAY HORIZONTAL. ANY REFLECTIVE TYPE OF STRIPE OR STICKER SHALL NOT BE PULLED FROM THE VEHICLE AND REAPPLIED DURING APPLICATION, SINCE THE REFLECTIVE MATERIAL WILL BE COMPROMISED.

△3. ITEM 101 TO BE LOCATED SUCH THAT ITEM 102 "CT" LOGO IS CENTERED ON STRIPE ITEM 101. ITEM 103 TO BE LOCATED BELOW THE "CT" LOGO

△4. SEVEN-DIGIT EQUIPMENT IDENTIFICATION NUMBER (EQ. ID #) ALWAYS STARTS WITH A "7" AND SHALL BE AFFIXED TO THE REAR OF THE VEHICLE IN THE UPPER RIGHT CORNER.

C	June 2015	UPDATE TO DECALS W/HIGH REFLECTIVITY	J Payne
B	July 2014	UPDATED PER 7-18-14 MEMO	J Payne
A	05/09	ADDED 107,108 & DETAIL VIEWS	ORTEGA
REV		DESCRIPTION	BY
NEXT ASSEMBLY		STATE OF CALIFORNIA DEPARTMENT OF TRANSPORTATION	
		DIVISION OF EQUIPMENT	
		TRAILER DECALS & STRIPING ITEM 60233	
TOLERANCE-UNLESS OTHERWISE SPECIFIED	DECIMAL ±	SCALE NONE	DATE 01/30/01
	FRACTIONAL ±	DRAWN DOWNIN	DESIGNED CAL
	ANGULAR ±	CHECKED	APPROVED
	DRILLED HOLES ±		
	REAMED HOLES ±		
			I-60233-DE
			SHEET 1 OF 1 SHEETS