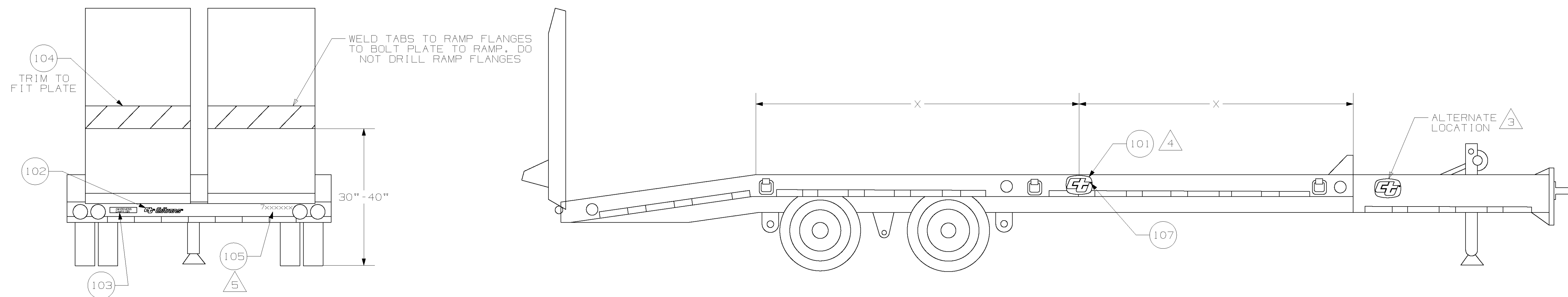


BILL OF MATERIALS

ITEM	QTY	DESCRIPTION	MANUF # DWG NO.	CT NO.	
△4	101	2	DECAL, 'CT' WHITE REFLECTIVE 7" X 9"	03-D004-01	053-4761
	102	1	DECAL, 'CT CALTRANS' ORANGE SCRIPT, 3"	03-D014-01	053-4802
	103	1	APPROVED PUBLIC AWARENESS CAMPAIGN BUMPER STICKER	X	.
	104	1	STRIPING, ORANGE/WHITE DIAG., REFLECTIVE, 8" X 48"	MATERIAL PER SPECIFICATION	053-2047
△7	105	1	EQ. ID # & MC # DECALS - SPECIAL ORDER	X	053-4892
	106	1	DECAL 'CT' ORANGE SCRIPT, 3"	03-D013-01	053-5135



NOTES:

1. ALL DELINEATION WILL BE IN COMPLIANCE WITH CALTRANS EQUIPMENT QUALITY STANDARDS. GO TO www.dot.ca.gov/hq/eqsc TO VIEW EQUIPMENT QUALITY STANDARDS.

2. STRIPING APPLICATION: ALL STICKERS, LABELS AND STRIPING SHALL BE LEVEL, STRAIGHT, BUBBLE FREE AND DEBRIS FREE. NO SPLICING OF TAPE OR STRIPING SHALL BE ACCEPTABLE. ALL EDGES ON STRIPING SHALL BE TRIMMED 1/8 INCH FROM THE EDGES OF DOORS, PANELS, FENDERS, LIGHTS, EMBLEMS, ETC. ANY REFLECTIVE TYPE OF STRIPE OR STICKER MAY NOT BE PULLED FROM THE VEHICLE AND REAPPLIED DURING APPLICATION, SINCE THE REFLECTIVE MATERIAL WILL BE COMPROMISED.

△3 INSTALL ITEMS 101 AND 107 ON ALTERNATE LOCATION IF DECALS WILL ON FIT ON SIDE RAIL AS SHOWN.

△4 ITEM 101 TO BE LOCATED SUCH THAT "CT" LOGO IS APPROXIMATELY CENTERED ON SIDE RAIL FOR HORIZONTAL PORTION OF DECK.

△5 SEVEN-DIGIT EQUIPMENT IDENTIFICATION NUMBER (EQ. ID #) ALWAYS STARTS WITH A "7" AND SHALL BE AFFIXED TO THE REAR OF THE VEHICLE IN THE UPPER RIGHT CORNER.

B	June 2015	UPDATE TO DECALS W/HIGH REFLECTIVITY	J Payne
A	July 2014	UPDATED PER 7-18-14 MEMO	J Payne
REV		DESCRIPTION	BY
NEXT ASSEMBLY		STATE OF CALIFORNIA DEPARTMENT OF TRANSPORTATION	
XX		DIVISION OF EQUIPMENT	
TOLERANCE-UNLESS OTHERWISE SPECIFIED		TRAILER, EQUIPMENT DECAL DWG.	
DECIMAL	± x	SCALE	x
FRACTIONAL	± x	DATE	27 June 12
ANGULAR	± x	DRAWN	J Payne
DRILLED HOLES	+ x	DESIGNED	x
REAMED HOLES	± x	CHECKED	
		APPROVED	
			1-60211-DE
			SHEET 1 OF 1 SHEETS