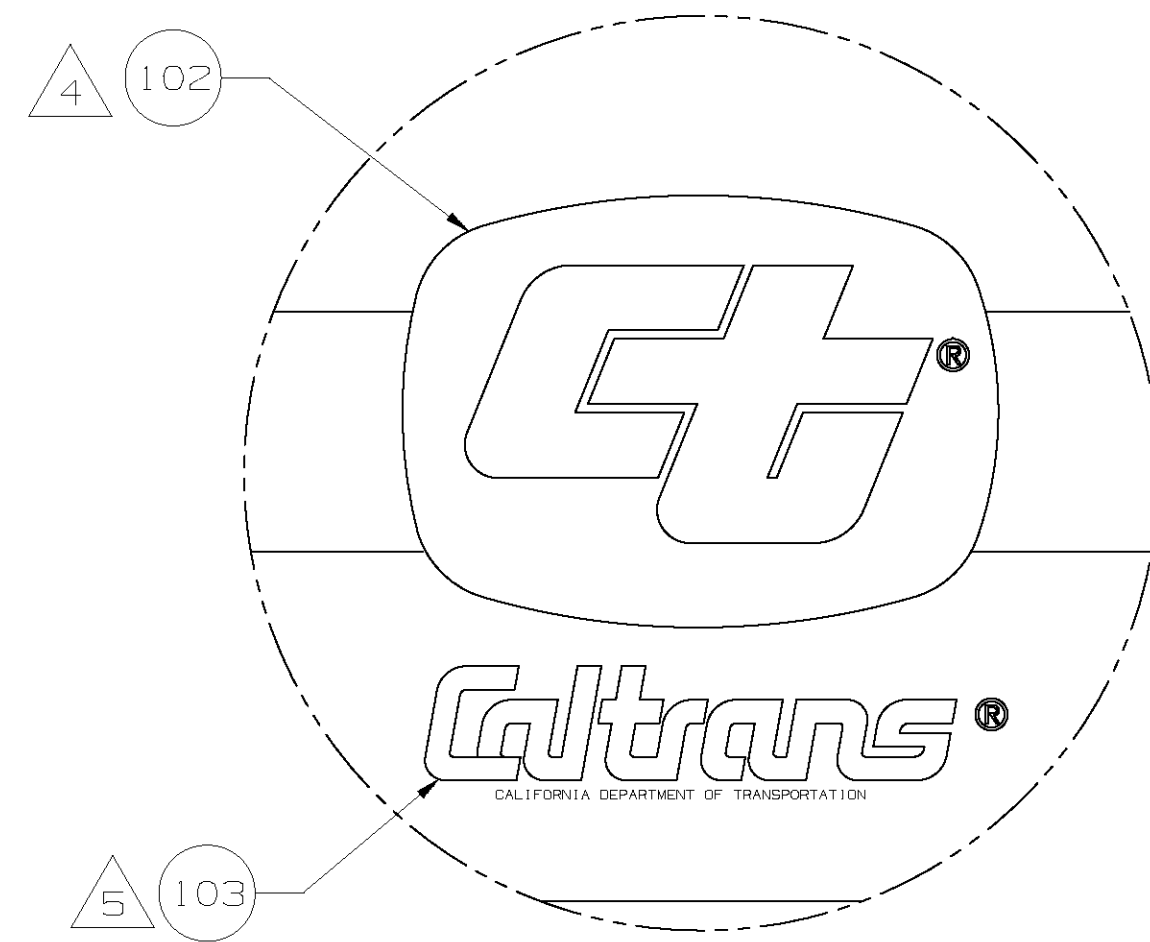


# BILL OF MATERIALS

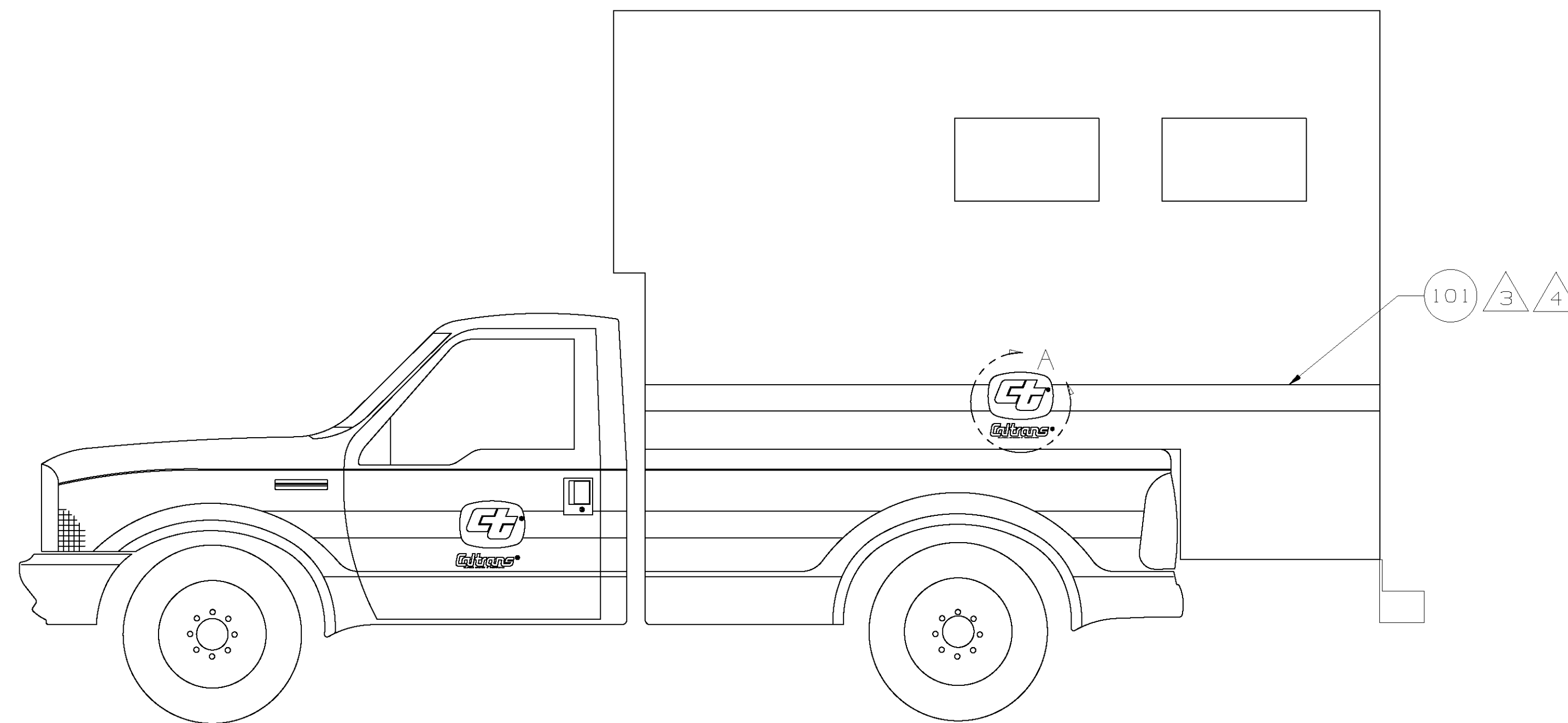
ITEM	QTY	DESCRIPTION	MF'R #/ CT DWG #	CT STK #
101	AS REQ'D	DECAL, REFLECTIVE SHEET, ORANGE, 5" WIDE	MATERIAL PER SPECIFICATION	053-4813
102	2	DECAL, 'CT' DOOR, WHITE REFLECTIVE, 9" X 12"	03-D004-01	053-4760
103	2	DECAL, 'CALTRANS' BLACK SCRIPT, 2 1/2"	03-D005-01	053-4763
104	1	DECAL, 'CT CALTRANS' ORANGE SCRIPT, 3"	03-D014-01	053-4802
105				
106	1	APPROVED PUBLIC AWARENESS CAMPAIGN BUMPER STICKER	-	-
107	1	STRIPING, ORANGE/WHITE DIAG., REFLECTIVE, 8" X 8'	MATERIAL PER SPECIFICATION	053-2047
108	4	EQ. ID # & MC # DECALS - SPECIAL ORDER	-	053-4892



DETAIL A

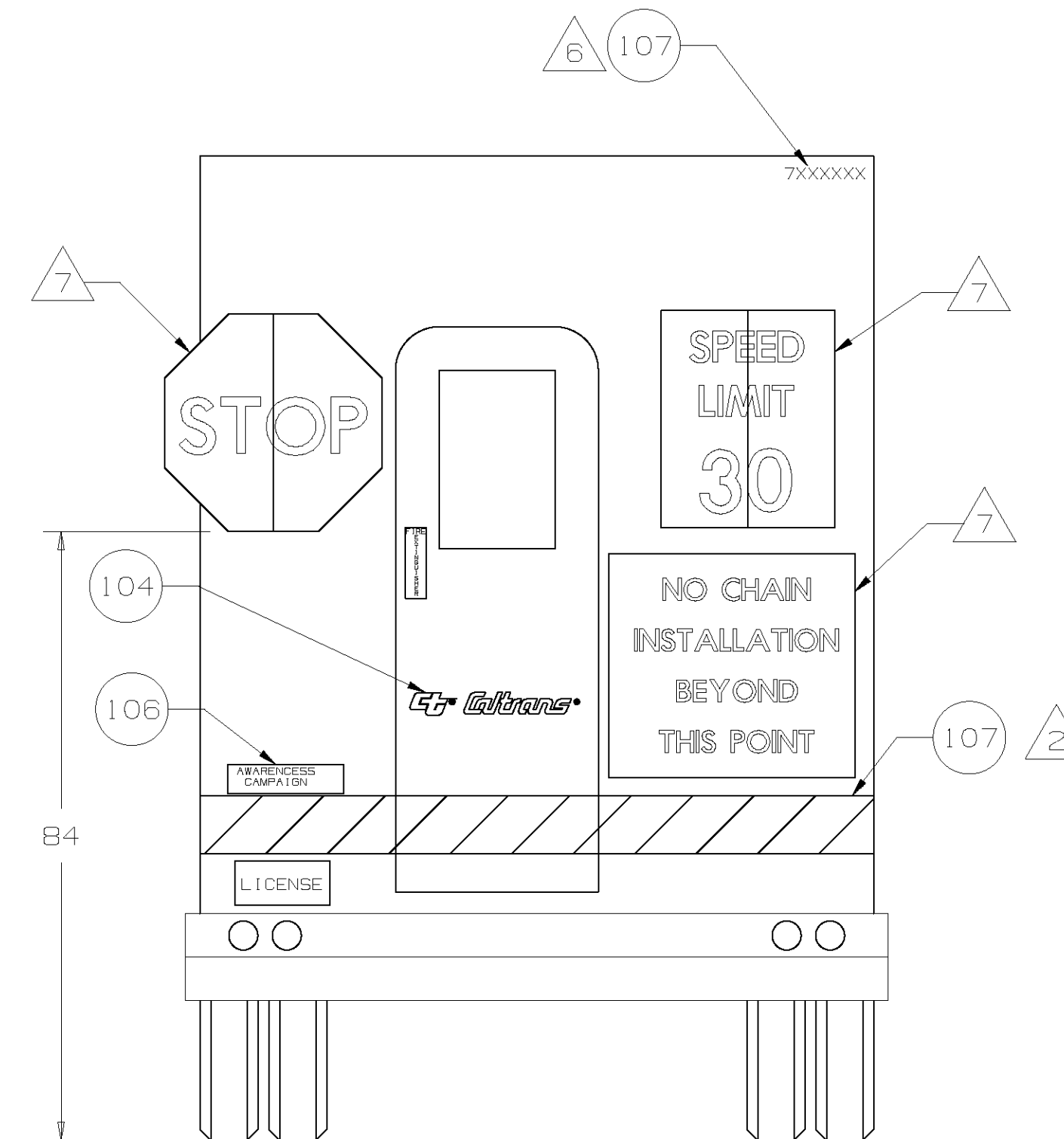
## NOTES:

- 1 ALL DELINEATION WILL BE IN COMPLIANCE WITH CALTRANS EQUIPMENT QUALITY STANDARDS. GO TO [www.dot.ca.gov/hq/eqsc](http://www.dot.ca.gov/hq/eqsc) AND CLICK ON THE LINK "EQUIPMENT QUALITY STANDARDS" THEN "FLEET IDENTIFICATION"
- 2 STRIPING APPLICATION: ALL STICKERS, LABELS AND STRIPING SHALL BE LEVEL, STRAIGHT, BUBBLE-FREE AND DEBRIS-FREE. NO SPLICING OF TAPE OR STRIPING SHALL BE ACCEPTABLE. ALL EDGES ON STRIPING SHALL BE TRIMMED 1/8-3/8 INCH FROM THE EDGES OF DOORS, PANELS, FENDERS, LIGHTS, EMBLEMS, ETC. ORANGE REFLECTIVE SHEETS (ITEM 101) AND STRIPING (ITEM 107) SHALL BE TRIMMED TO MATCH BODY CONTOURS AND CREASES WHEN IT WILL NOT LAY HORIZONTAL. ANY REFLECTIVE TYPE OF STRIPE OR STICKER SHALL NOT BE PULLED FROM THE VEHICLE AND REAPPLIED DURING APPLICATION, SINCE THE REFLECTIVE MATERIAL WILL BE COMPROMISED.
- 3 PLACE LOWER EDGE OF ITEM 101 NEAR THE BOTTOM OF THE CAMPER AND, MAKE ADJUSTMENT SLIGHTLY AS REQUIRED TO CLEAR CUTOUTS AND OTHER FEATURES TO IMPROVE EASE OF INSTALLATION.
- 4 ITEM 102 TO BE LOCATED SUCH THAT "CT" LOGO IS CENTERED ON ITEM 101.
- 5 ITEM 103 TO BE LOCATED BELOW THE "CT" LOGO AND ALONG THE VERTICAL CENTERLINE.
- 6 SEVEN-DIGIT EQUIPMENT IDENTIFICATION NUMBER (EQ. ID #) ALWAYS STARTS WITH A "7" AND SHALL BE AFFIXED TO THE REAR OF THE VEHICLE IN THE UPPER RIGHT CORNER.
- 7 ADDITIONAL SIGNAGE AS REQUIRED BY MAINTENANCE. SEAL ALL FASTENER HOLES.



DRIVER SIDE VIEW

PASSENGER SIDE- SAME DECALS



REAR VIEW

REV	DATE	DESCRIPTION	BY
B	June 2015	UPDATE TO DECALS W/HIGH REFLECTIVITY	J Payne
A	July 2014	UPDATED PER 7-19-14 MEMO	J Payne

NEXT ASSEMBLY		STATE OF CALIFORNIA DIVISION OF EQUIPMENT	
		<b>DIVISION OF EQUIPMENT</b>	
		CAMPER, CHAIN CONTROL DELINEATION	
TOLERANCE-UNLESS OTHERWISE SPECIFIED	SCALE	DATE Oct 2012	1-25010-DE
DECIMAL ±	DRAWN J Payne	DESIGNED WHEELER	
FRACTIONAL ±	CHECKED	APPROVED	SHEET 1 of 1 SHEETS
ANGULAR ±			
DRILLED HOLES ±			
REAMED HOLES ±			