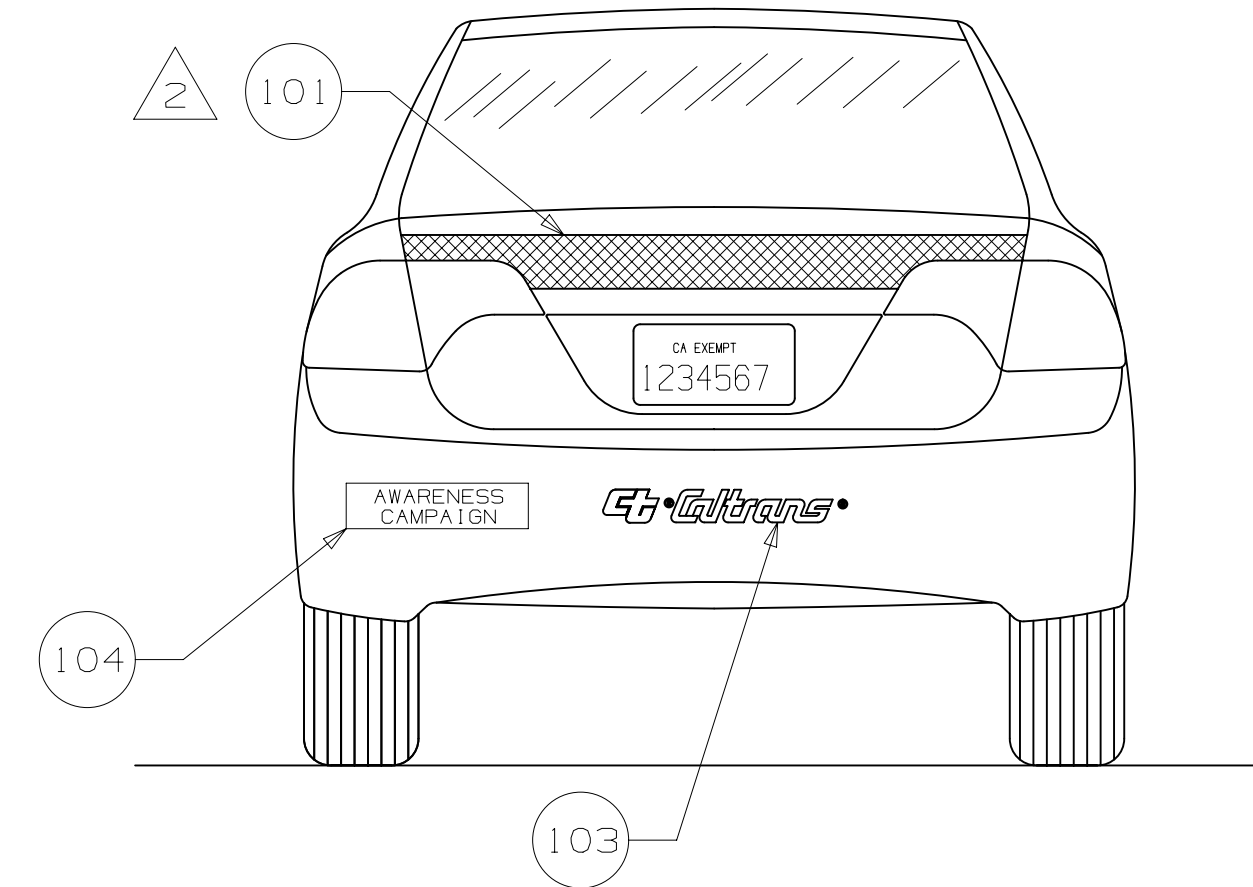
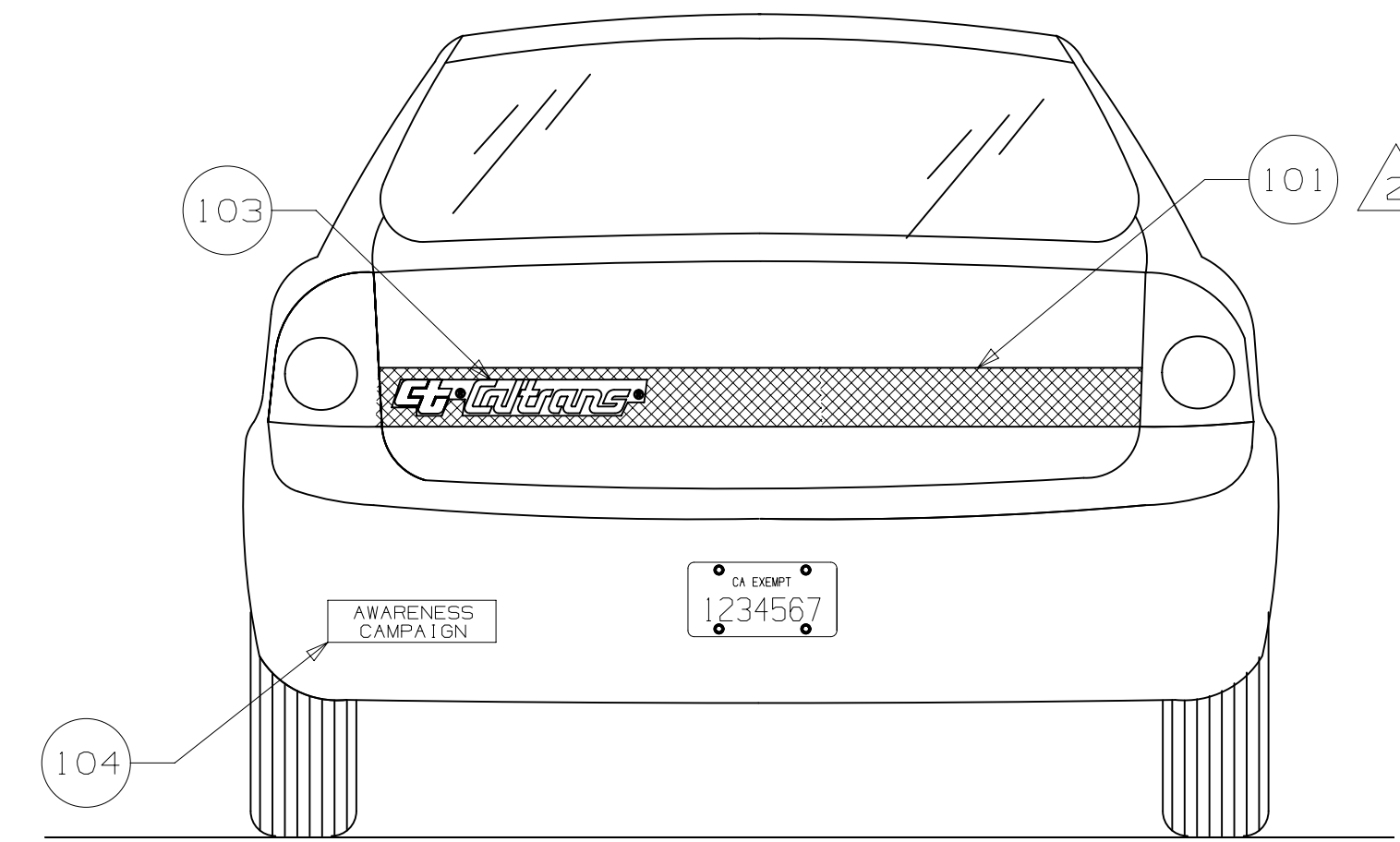
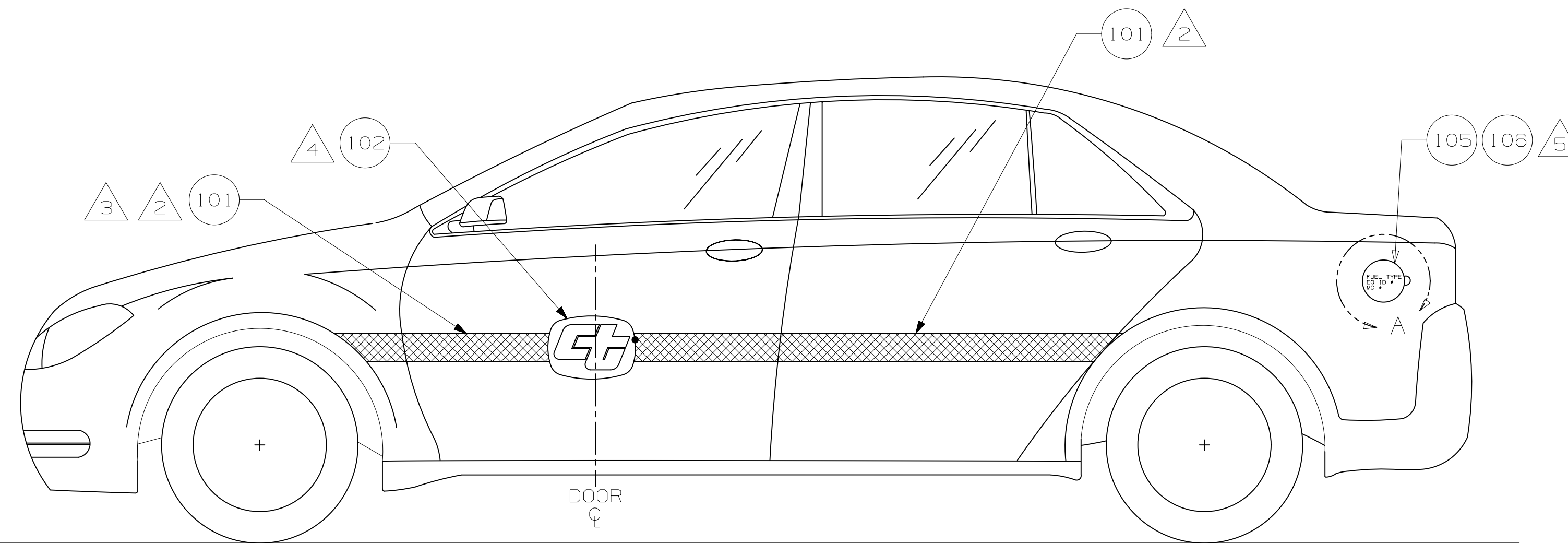


# BILL OF MATERIALS

ITEM	QTY	DESCRIPTION	MF'R #/ CT DWG #	CT STK #
101	AS REQ'D	DECAL, REFLECTIVE SHEET, ORANGE, 4" WIDE	MATERIAL PER SPECIFICATION	053-4767
102	2	DECAL, 'CT' DOOR, WHITE REFLECT., 7" X 9"	03-0004-01	053-4761
103	1 OR 1	DECAL, 'CT CALTRANS' ORANGE, SCRIPT, 3"	03-D014-01	053-4802
		DECAL, 'CT CALTRANS' WHITE, SCRIPT, 3"	03-D014-01	053-4752
104	1	APPROVED PUBLIC AWARENESS CAMPAIGN BUMPER STICKER		
105	1	EQ ID # & MC # - SPECIAL ORDER	X	053-4892
106	1 OR 1	FUEL TYPE DECAL - E85 OR GASOLINE	X	053-4990
		FUEL TYPE DECAL - UNLEADED FUEL ONLY	X	053-1510



PRIMARY USE OF 'CT CALTRANS' DECAL ITEM 103 SHALL BE ORANGE DECAL ON WHITE REAR BUMPER, AS PER UPPER REAR VIEW. IF SPACE DOES NOT ALLOW, AFFIX WHITE DECAL ONTO ORANGE STRIPE DECAL (ITEM 101), AS PER LOWER REAR VIEW.



## DRIVER SIDE VIEW

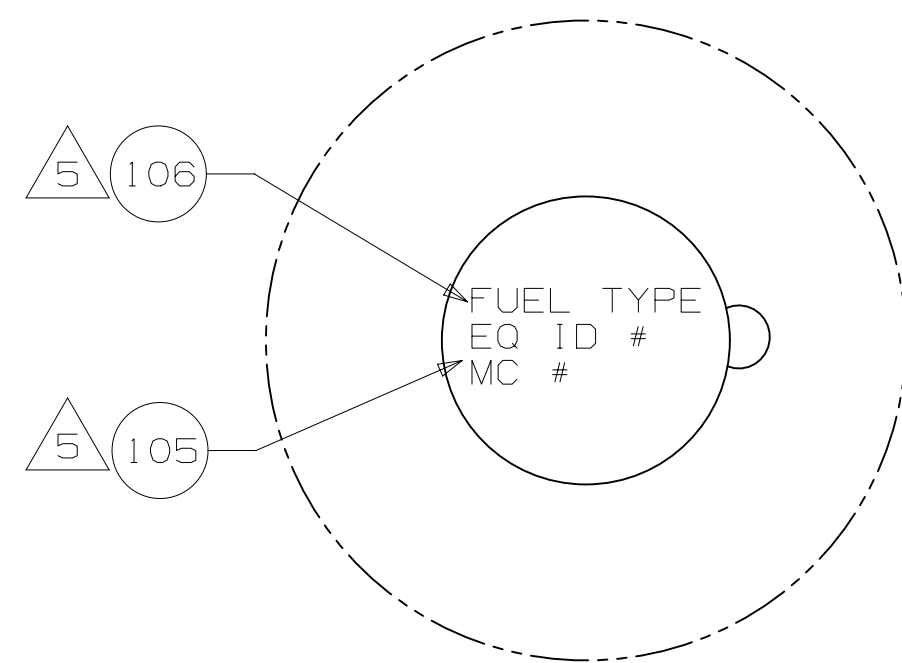
PASSENGER SIDE - SAME DECALS

## REAR VIEWS

COPYRIGHT 2015 CALIFORNIA DEPARTMENT OF TRANSPORTATION. ALL RIGHTS RESERVED  
THIS DOCUMENT CONTAINS CONFIDENTIAL AND PROPRIETARY INFORMATION THAT CANNOT BE REPRODUCED OR DIVULGED, IN WHOLE OR IN PART, WITHOUT WRITTEN AUTHORIZATION FROM CALTRANS DIVISION OF EQUIPMENT, OFFICE OF ENGINEERING AND PRODUCTION

### NOTES:

- 1 ALL DELINEATION WILL BE IN COMPLIANCE WITH CALTRANS EQUIPMENT QUALITY STANDARDS. GO TO [www.dot.ca.gov/hq/eqsc](http://www.dot.ca.gov/hq/eqsc) AND CLCK ON THE LINK "EQUIPMENT QUALITY STANDARDS" THEN "FLEET IDENTIFICATION"
- 2 STRIPING APPLICATION: ALL STICKERS, LABELS AND STRIPING SHALL BE LEVEL, STRAIGHT, BUBBLE-FREE AND DEBRIS-FREE. NO SPLICING OF TAPE OR STRIPING SHALL BE ACCEPTABLE. ALL EDGES ON STRIPING SHALL BE TRIMMED 1/8-3/8 INCH FROM THE EDGES OF DOORS, PANELS, FENDERS, LIGHTS, EMBLEMS, ETC. ORANGE REFLECTIVE SHEETS (ITEM 101) AND STRIPING SHALL BE TRIMMED TO MATCH BODY CONTOURS AND CREASES WHEN IT WILL NOT LAY HORIZONTAL. ANY REFLECTIVE TYPE OF STRIPE OR STICKER SHALL NOT BE PULLED FROM THE VEHICLE AND REAPPLIED DURING APPLICATION, SINCE THE REFLECTIVE MATERIAL WILL BE COMPROMISED.
- 3 PLACE LOWER EDGE OF ITEM 101 APPROXIMATELY 1/2 WAY BETWEEN THE BOTTOM OF THE WINDOW AND THE BOTTOM OF DOOR. MAKE ADJUSTMENT SLIGHTLY AS REQUIRED TO CLEAR FENDER CUTOUTS AND OTHER FEATURES TO IMPROVE EASE OF INSTALLATION. ITEM 101 POSITION MAY BE ADJUSTED SLIGHTLY TO ALIGN WITH BODY STRIPE IF POSSIBLE
- 4 ITEM 102: LOCATE SUCH THAT THE LOGO IS CENTERED ON THE VERTICAL CENTERLINE OF THE DOOR AND ON THE STRIPE (ITEM 101). STRIPE 101 TO BE TRIMMED TO MATCH EDGES OF ITEM 102
- 5 THE FOLLOWING DECAL GROUP SHALL BE PLACED DIRECTLY ABOVE OR NEXT TO EACH FUEL FILLER IN ORDER FROM TOP TO BOTTOM: FUEL TYPE, EQ. ID, MC#



DETAIL A

REV	DATE	DESCRIPTION	BY
J	June 2015	UPDATE TO DECALS W/HIGH REFLECTIVITY	J Payne
I	04/09	REMOVED CLEAN AIR DECAL #104 SIDE VIEW REDRAWN	ORTEGA
H	11/08	ADDED NEW ITEMS 108 & 109 PLUS DETAILS B & C	MCGAUGH
G	05/08	CHGD ITEM 107 LOCATION	TARK
F	01/07	ADDED ITEMS 106-107 & ALT. REAR VIEW - SEE NOTE 8	TARK
E	08/05	STANDARDIZED LAYOUT, NOTES	SPARTZ
D	04/05	ADDED NOTE 2	SPARTZ
C	01/05	CHANGED NOTE	JJ
B	09/03	REMOVED ITEM 109, MODEL CHG	JDR
A	07/03	ADDED ITEM 110	DOWNIN

NEXT ASSEMBLY		STATE OF CALIFORNIA DEPARTMENT OF TRANSPORTATION DIVISION OF EQUIPMENT	
TOLERANCE - UNLESS OTHERWISE SPECIFIED		SEDAN DELINEATION	
DECIMAL ±	FRACTIONAL ±	SCALE NONE	DATE 06/12/01
ANGULAR ±	DRILLED HOLES ±	DRAWN DOWNIN	DESIGNED CAL
REAMED HOLES ±		CHECKED	APPROVED
			I-00100-DE
			SHEET 1 OF 1 SHEETS

MAINTENANCE CLASS 00106 TOYOTA PRIUS



MAINTENANCE CLASS 00106 TOYOTA PRIUS



MAINTENANCE CLASS 00106 TOYOTA PRIUS



MAINTENANCE CLASS 00106 TOYOTA PRIUS



MAINTENANCE CLASS 00108 Chevy Impala



MAINTENANCE CLASS 00108 Chevy Impala







MAINTENANCE CLASS 00108 Chevy Impala







MAINTENANCE CLASS 00103 SEDAN, INTERMEDIATE SIZE



MAINTENANCE CLASS 00103 SEDAN, INTERMEDIATE SIZE





MAINTENANCE CLASS 00103 SEDAN, INTERMEDIATE SIZE

