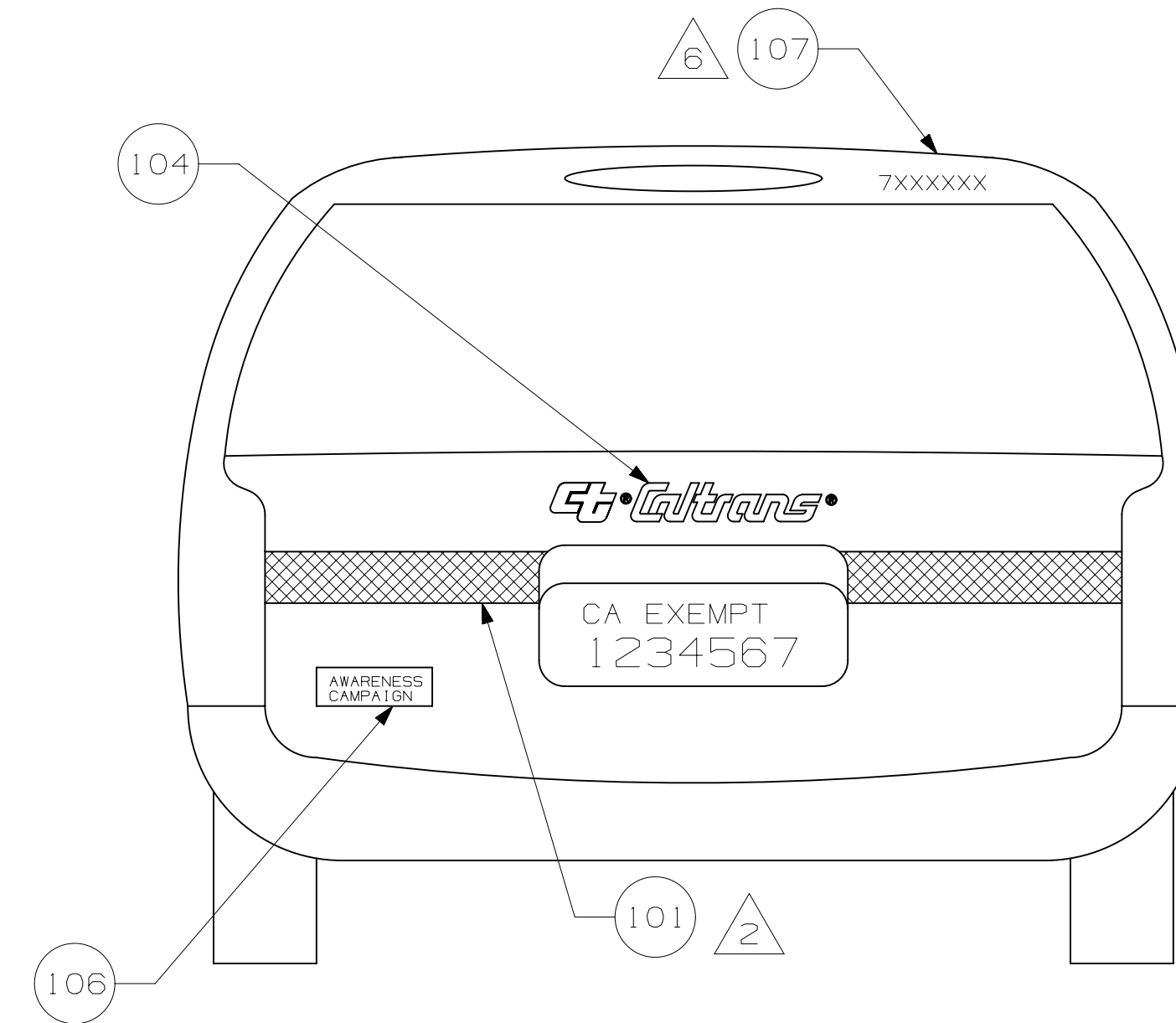
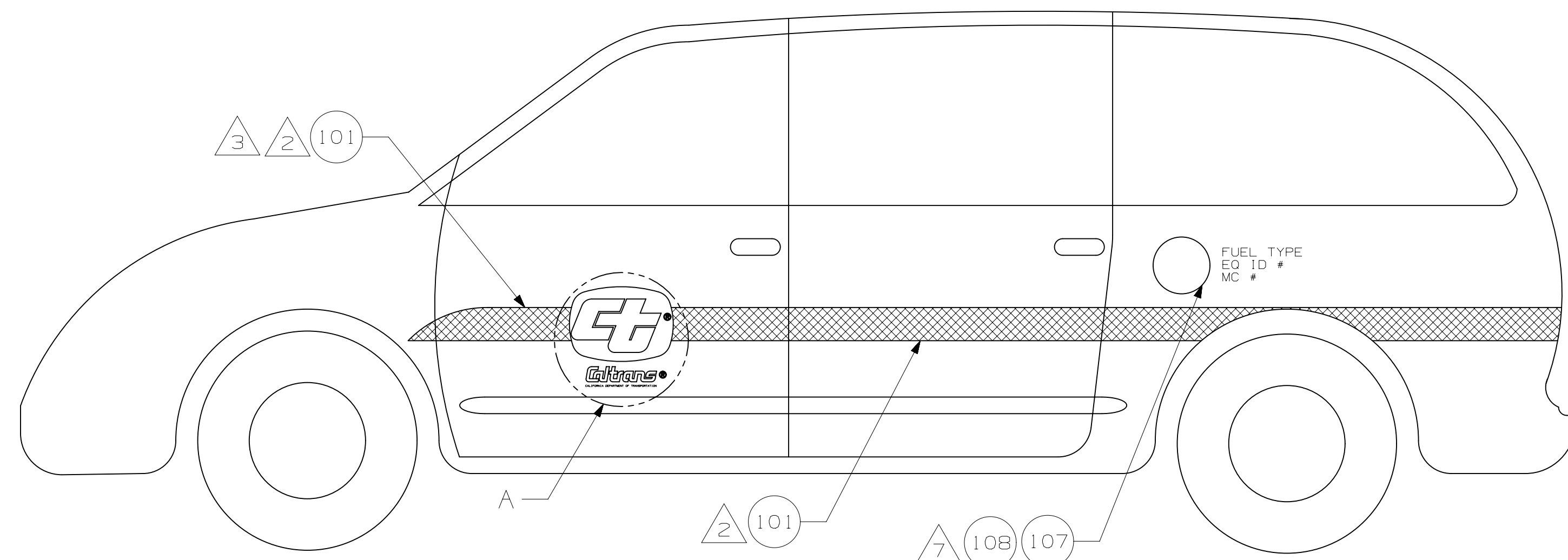


BILL OF MATERIALS

ITEM	QTY	DESCRIPTION	MF'R #/ CT DWG #	CT STK #
101	AS REQ'D	DECAL, REFLECTIVE SHEET, ORANGE, 5" WIDE	MATERIAL PER SPECIFICATION	053-4813
102	2	DECAL, 'CT' DOOR, WHITE REFLECTIVE, 7" X 9"	03-D004-01	053-4761
103	2	DECAL, 'CALTRANS' BLACK SCRIPT, 2.5"	03-D005-01	053-4763
104	1	DECAL, 'CT CALTRANS' ORANGE SCRIPT, 4"	03-D014-01	053-4801
105			-	
106	1	APPROVED PUBLIC AWARENESS CAMPAIGN BUMPER STICKER	-	
107	1	EQ. ID # & MC # DECALS - SPECIAL ORDER	-	053-4892
108	1	APPROPRIATE FUEL TYPE DECAL: 'UNLEADED FUEL ONLY' 'E-85 OR GASOLINE'	-	053-1510 053-4990



DELIVERY/CARGO MINI-VAN



NOTES:

- 1 ALL DELINEATION WILL BE IN COMPLIANCE WITH CALTRANS EQUIPMENT QUALITY STANDARDS. GO TO www.dot.ca.gov/hq/eqsc AND CLCK ON THE LINK "EQUIPMENT QUALITY STANDARDS" THEN "FLEET IDENTIFICATION"
- 2 STRIPING APPLICATION: ALL STICKERS, LABELS AND STRIPING SHALL BE LEVEL, STRAIGHT, BUBBLE-FREE AND DEBRIS-FREE. NO SPLICING OF TAPE OR STRIPING SHALL BE ACCEPTABLE. ALL EDGES ON STRIPING SHALL BE TRIMMED 1/8-3/8 INCH FROM THE EDGES OF DOORS, PANELS, FENDERS, LIGHTS, EMBLEMS, ETC. ORANGE REFLECTIVE SHEETS (ITEM 101) AND STRIPING SHALL BE TRIMMED TO MATCH BODY CONTOURS AND CREASES WHEN IT WILL NOT LAY HORIZONTAL. ANY REFLECTIVE TYPE OF STRIPE OR STICKER SHALL NOT BE PULLED FROM THE VEHICLE AND REAPPLIED DURING APPLICATION, SINCE THE REFLECTIVE MATERIAL WILL BE COMPROMISED.
- 3 PLACE LOWER EDGE OF ITEM 101 APPROXIMATELY 1/2 WAY BETWEEN THE BOTTOM OF THE WINDOW AND THE BOTTOM OF DOOR. MAKE ADJUSTMENT SLIGHTLY AS REQUIRED TO CLEAR FENDER CUTOUTS AND OTHER FEATURES TO IMPROVE EASE OF INSTALLATION. ITEM 101 POSITION MAY BE ADJUSTED SLIGHTY TO ALIGN WITH BODY STRIPE IF POSSIBLE
- 4 ITEM 102: LOCATE SUCH THAT THE LOGO IS CENTERED ON THE VERTICAL CENTERLINE OF THE DOOR AND ON THE STRIPE (ITEM 101). STRIPE 101 TO BE TRIMMED TO MATCH EDGES OF ITEM 102
- 5 ITEM 103 TO BE LOCATED BELOW THE "CT" LOGO AND ALONG THE VERTICAL CENTERLINE OF THE DOOR.
- 6 SEVEN-DIGIT EQUIPMENT IDENTIFICATION NUMBER (EQ. ID #) ALWAYS STARTS WITH A "7" AND SHALL BE AFFIXED TO THE REAR OF THE VEHICLE IN THE UPPER RIGHT CORNER.
- 7 THE FOLLOWING DECAL GROUP SHALL BE PLACED DIRECTLY ABOVE OR NEXT TO EACH FUEL FILLER IN ORDER FROM TOP TO BOTTOM: FUEL TYPE, EQ. ID, MC#

REV	DATE	DESCRIPTION	BY
H	June 2015	UPDATE TO DECALS W/HIGH REFLECTIVITY	J Payne
G	Dec 2014	ITEM 102 WAS 9"x12" 053-4760	J Payne
F	July 2014	UPDATE PER 7-18-14 MEMO	J Payne
E	04/09	REMOVED CLEAN AIR DECAL #105, ADDED DETAIL C AND NOTE 7	ORTEGA
D	12/08	ADDED NOTES, NEW BOM, AND DETAIL VIEWS A & B	MCGAUGH
C	03/05	ADDED ITEM 105	SPARTZ
B	11/04	DELETED COMMUTER VAN	JJ
A	04/03	ADDED "CONE ZONE" DECAL CT#: 053-4829 PER HODEL EMAIL 4/15/03	MATSUO

NEXT ASSEMBLY		STATE OF CALIFORNIA DEPARTMENT OF TRANSPORTATION	
X		DIVISION OF EQUIPMENT	
MINI-VAN DELINEATION			
SCALE	x	DATE	11 Apr 02
DRAWN	J Payne	DESIGNED	x
CHECKED		APPROVED	
			I-00478-DE
			SHEET 1 OF 1 SHEETS

MAINTENANCE CLASS 00470 VAN, MINI, DELIVERY, GAS



MAINTENANCE CLASS 00470 VAN, MINI, DELIVERY, GAS



MAINTENANCE CLASS 00470 VAN, MINI, DELIVERY, GAS



MAINTENANCE CLASS 00470 VAN, MINI, DELIVERY, GAS

