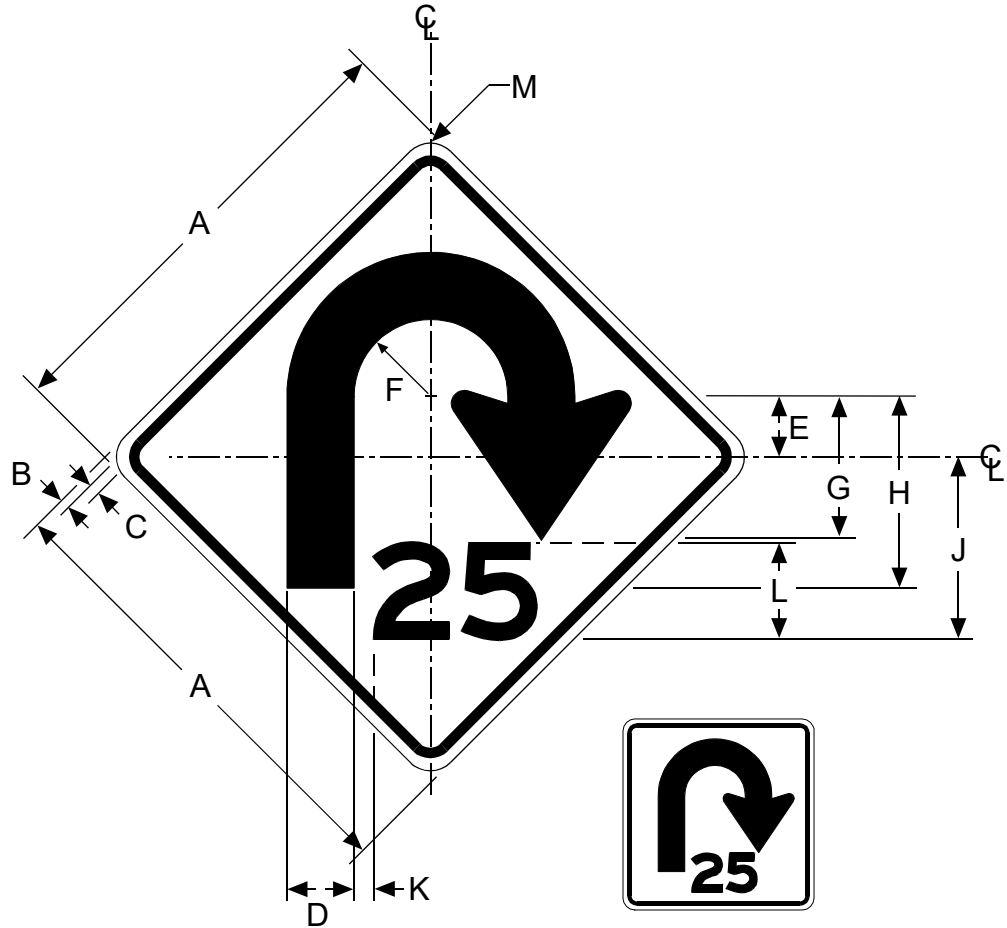


STATE OF CALIFORNIA - DEPARTMENT OF TRANSPORTATION



Notes:

1. For arrowhead dimensions, see page 6-2 of the Standard Highway Signs Book.
2. Left or right arrow, specify when ordering.
3. Speed, specify when ordering.
4. Diamond or square shape, specify when ordering.

W4-10 (CA)

ENGLISH UNITS

A	B	C	D	E	F	G	H	J	K	L	M
48	.75	1.25	7	6.25	8	15	20	19	2	10E	3
60	.875	1.5	8.75	6.5625	10	18.75	25	23.75	2.5	12E	3.75
72	1	1.75	10.5	8.375	12	22.5	30	28.5	3	15E	4.5
96	1.25	2.25	14	12.5	16	30	40	38	4	20E	6

COLORS: BORDER & LEGEND - BLACK
 BACKGROUND - YELLOW (RETROREFLECTIVE)